

STONIMAGE

How to be A Global Leader in Services?

Many of us are facing after-sales trouble no matter private or governmental control company, time is invaluable and most worrying for us. Once the machine shut down, the production shut down either, and we start to lose money quickly and come to an operation crisis So what we do here?

- ◆ Fast Action in Services
- ◆ Unconditional Parts Supply
- ◆ Strong Professionalism
- ◆ Spotless Satisfaction

This is how STONIMAGE started to make business. What we do is giving the fastest services after supplying high-quality level products.

XINXIANG STONIMAGE TECHNOLOGY CO. LTD
 新乡市石像科技有限公司
 Email: inquire@stonimage.com

Tel: +86 373 5853611 +86 373 5853727
 www.stonimage.com
 Fax: +86 373 5854466
 地址：中国-河南省新乡市公元国际 # 1523

About Us

STONIMAGE is a global brand for contracting, design and supplying of lifting equipment. We owns the most professional engineering team, R & D center and manufacturing base with rich experience in lifting industry. We are working with full passion in continuous innovation and improving services level. Especially, we are continuously improving our service ability based on unique managing strategy, electronic information and project operation system.

We believes the creative ideas shall be encouraged to perform in all fields and whole project period, the enough energy and continuous research interest are the key power to move the current technology forward. Also we as a real innovative lifting equipment & services maker devotes much passion in simplifying project managing and more high-efficiency services to keep every detail in our job excellent and make clients satisfied from first to last.

STONIMAGE is supplying High-level Services and Innovative Lifting Equipment.

• **Floating Dock Cranes**



Floating Dock Crane

- Unique design for ship repairs and launches on floating dock, reliable performance for various marine condition.
- The best method to make ship repair and maintenance job on a floating dock.
- Large capacity and customizable outreach, capable for a narrow wing wall
- With rich experience in modification of old floating dock



Technical sheet

F.E.M | DIN | EN Standard

STOMINAGE floating dock crane can be used in small and large floating dock for ship repair and building. It is very rigid for accurate load handling.

- Ergonomically designed Cabin for operator
- Smart & safety walkway and ladders
- Monitoring system for loading situation, wind factors, fault display, alarm control in cabin
- 4 travel motion alarms with Aviation obstruction lights
- Minimized wind pressure and wheel load
- Inclination 1°~ 3°design
- Berthing anchor system
- Safety monitoring system
- Power-off automatic rail clamping system
- Full frequency converters system
- Real time monitoring for traveling condition
- Outreach from 6.m to 50m
- Center lubrication system
- Programmable PLC Electronic Control System
- Electronic, stepless speed, infinitely variable controls for hoisting, traverse and travel.
- IACS class

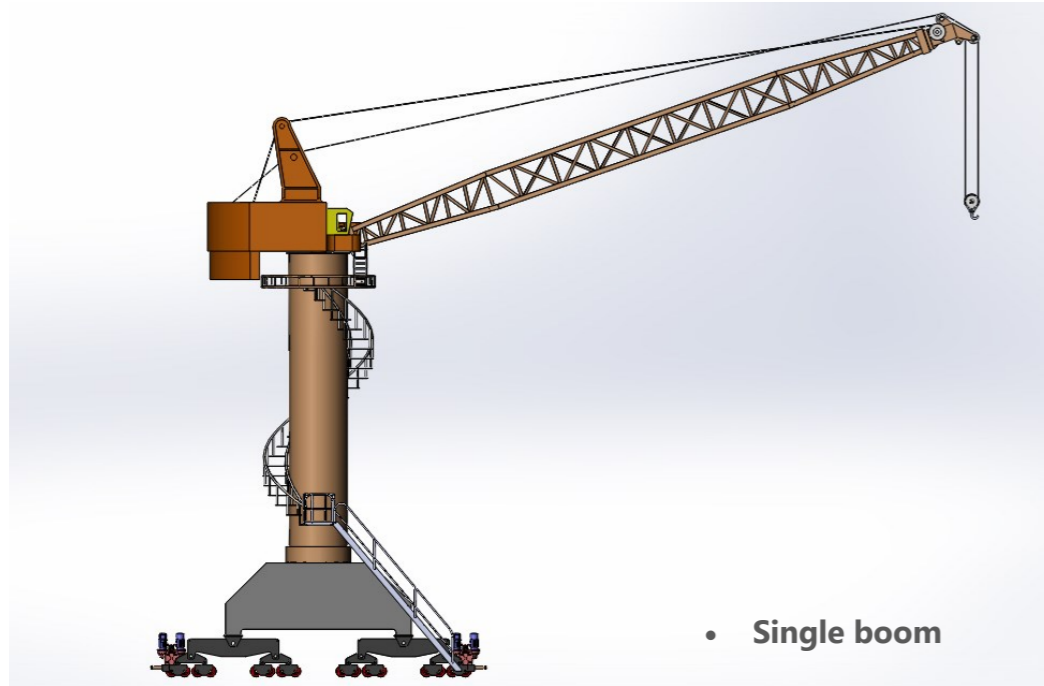
Capacity (ton)	Max Outreach (m)	Max Lifting height above rail/under rail	Rail Span (m)
5	15~25	15~25/10~15	3.2~6.0
7	15~25	15~25/10~15	3.2~6.0
10	15~25	15~25/10~15	3.2~6.0
15	20~35	20~25/10~15	3.2~6.0
20	20~35	20~25/10~15	3.2~6.0
25	20~35	20~25/10~15	3.2~6.0
30	20~50	20~35/10~20	3.2~6.0
35	20~50	20~35/10~20	3.2~6.0
40	20~50	20~35/10~20	3.2~6.0
Customizable	Customizable	Customizable	Customizable

Option: single boom or double boom, IACS type (CCS, BV, ABS etc)

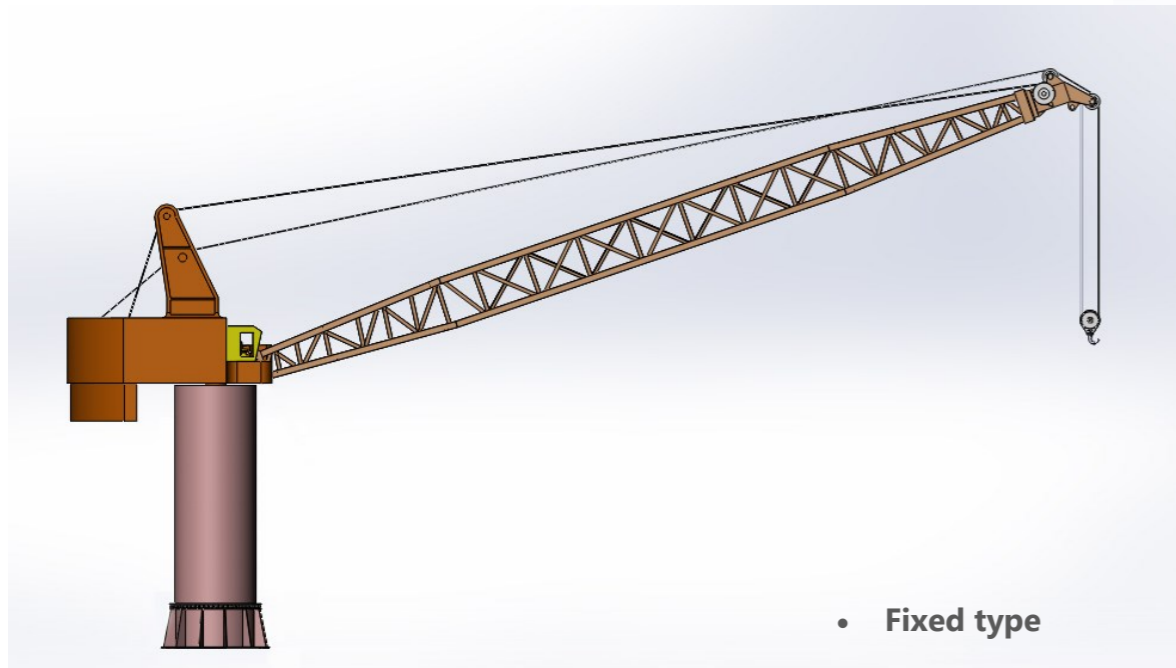
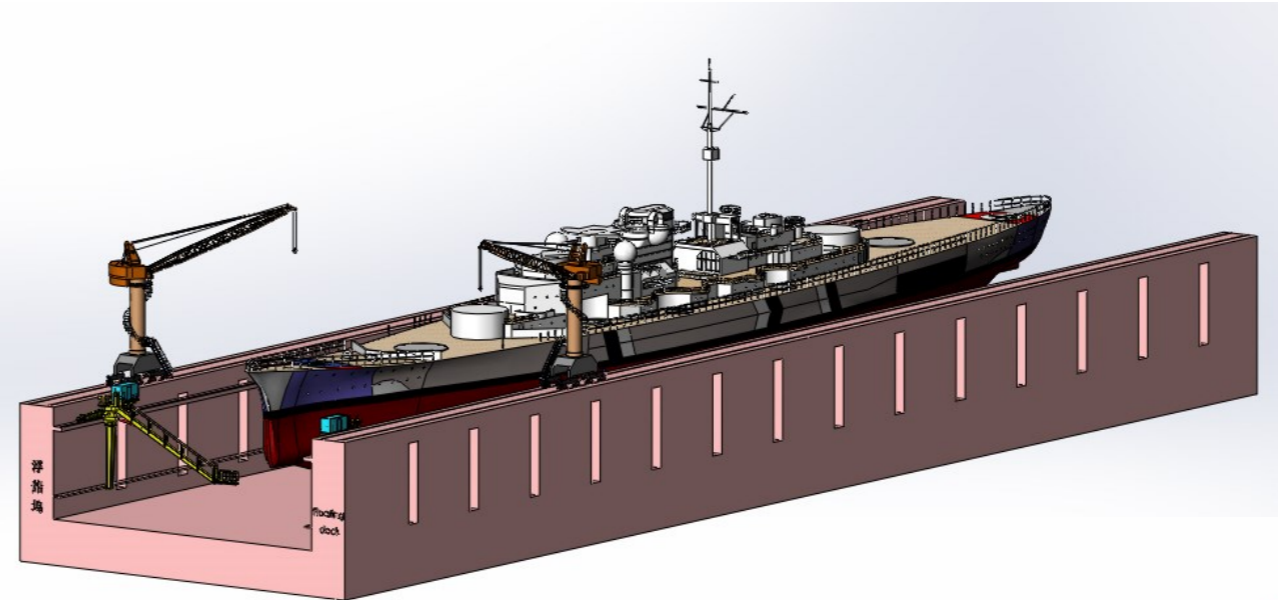
Floating Dock Crane

Types of Floating Dock Cranes

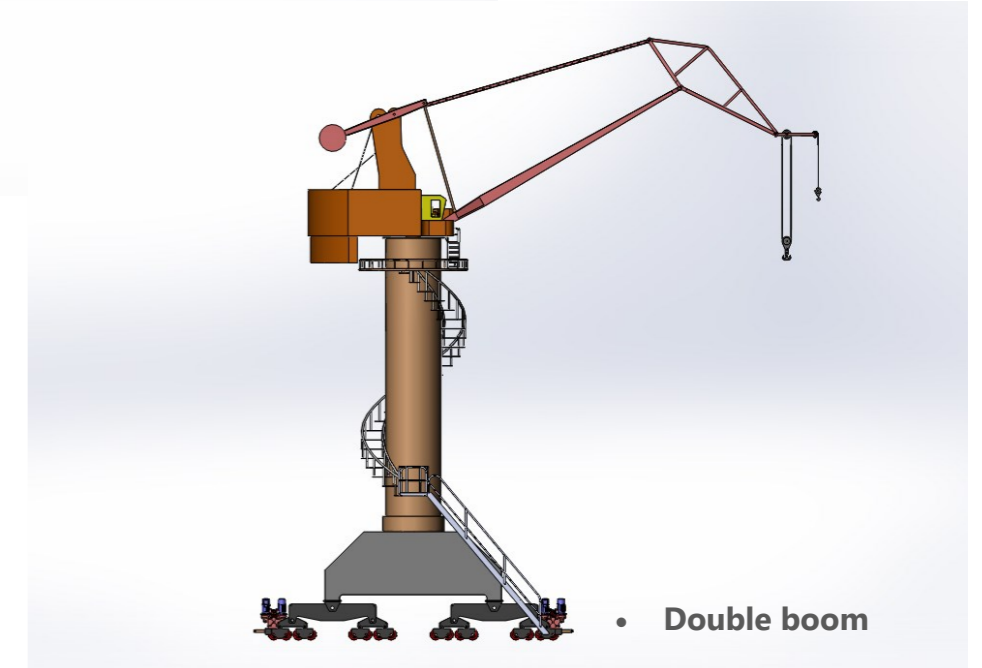
- Single Boom
- Double boom
- Fixed type (fixed on deck)



• Single boom



• Fixed type



• Double boom

Floating Dock Crane



Floating Dock Crane



Technology Advantages

- Advanced technology in crane structure design
- Advanced electric & hydraulic control system

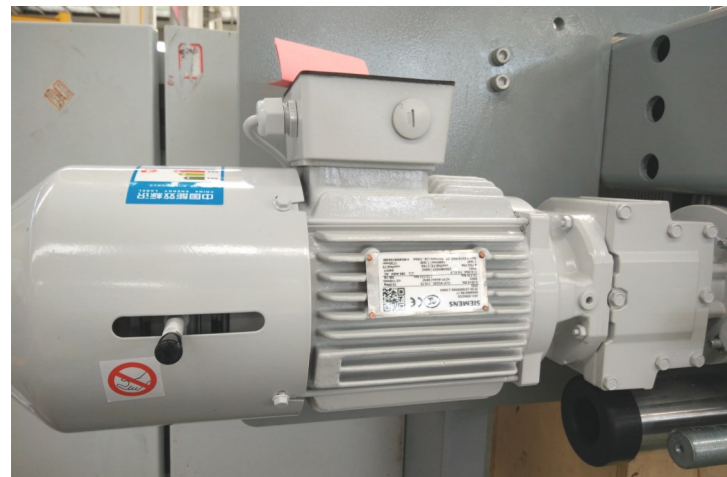


Reliable Fast Services

- Solve-trouble firstly in company rules
- Professional & fast action in solution

Excellent Performance

- 100% performance tested in factory
- Continuous performance optimized plan

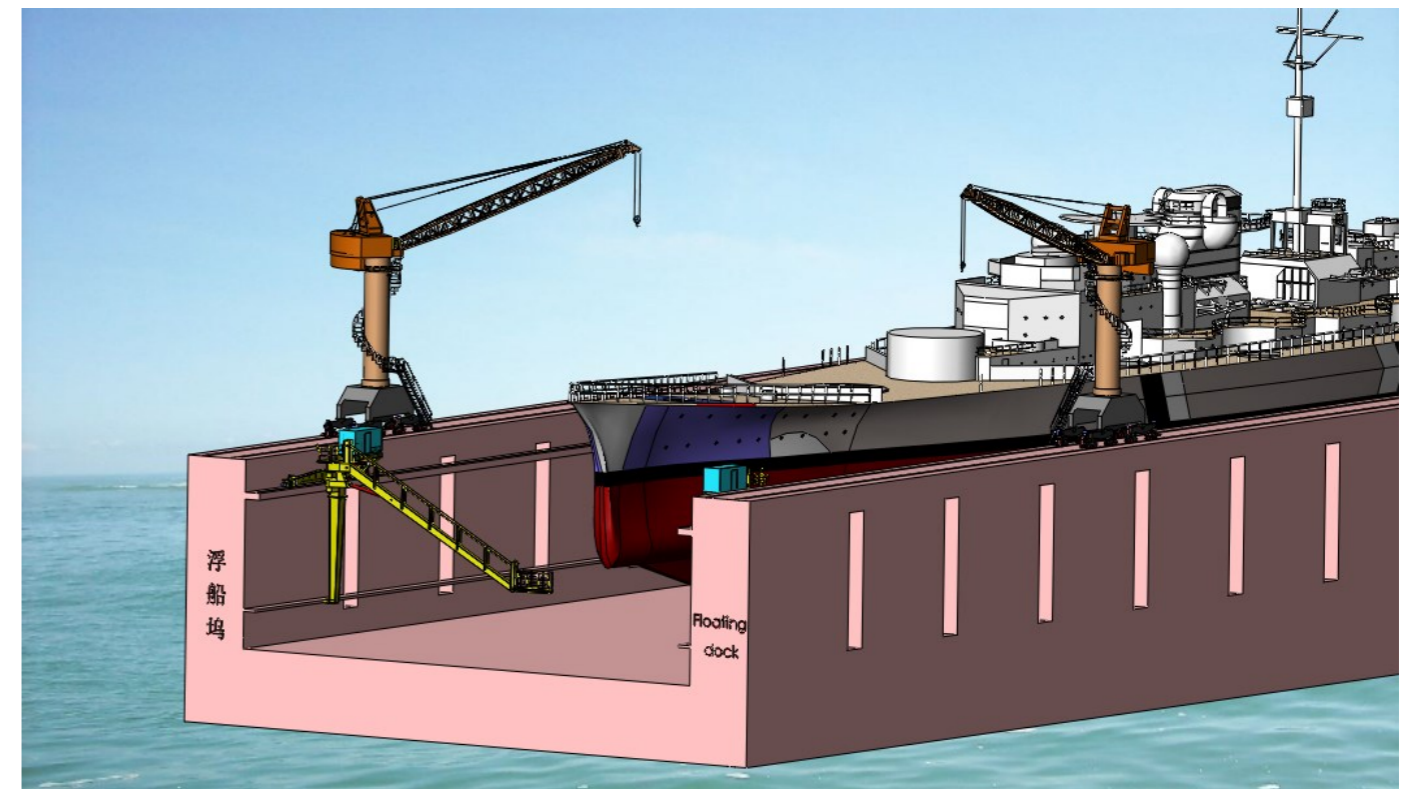


Guaranteed Quality

- Qualified components for every part
- Min 2 years warranty services

How to find out the best solution for shipyard?

Just Call 0086 373 5853611



inquire@stonimage.com

Tel: +86 373 5853611 , +86 373 5853727

XINXIANG STONIMAGE TECHNOLOGY CO., LTD

www.stonimage.com